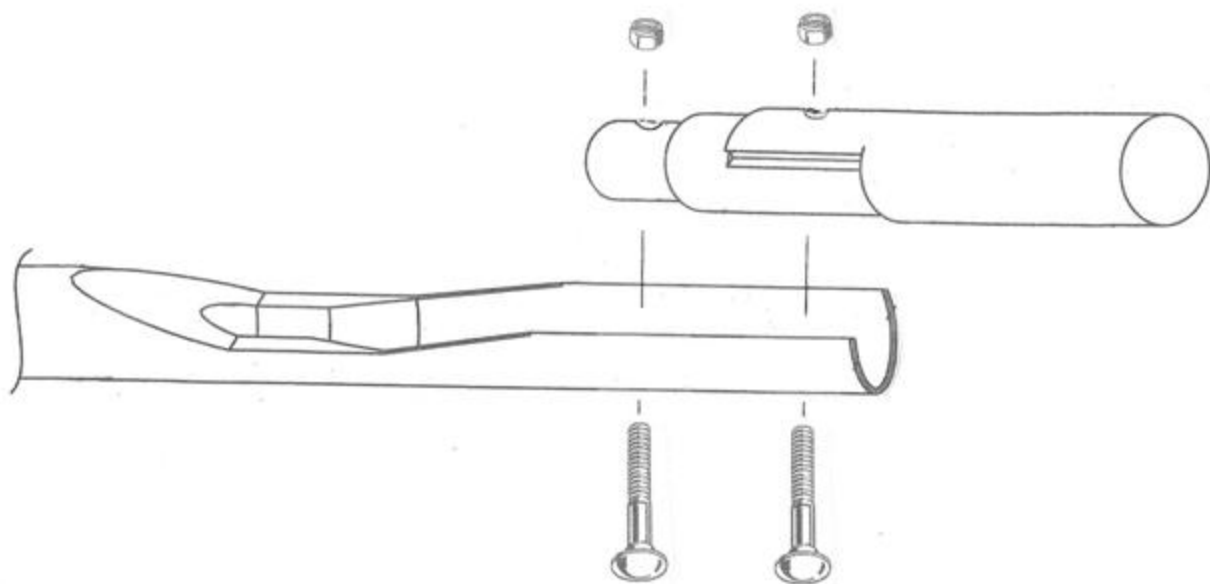
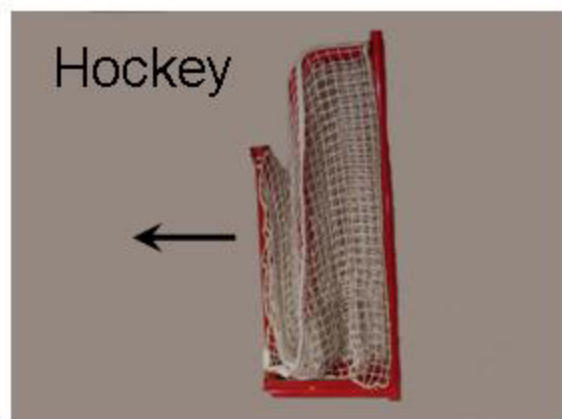


One Time Assembly Instructions

Snap the pipes together, insert both carriage bolts and then tighten the nyloc nuts, with the wrench included.

Hint: Opening the goal first makes inserting the bolts easier.

The green monofilament nylon cord runs across each joint / pipe.



Carriage Bolts