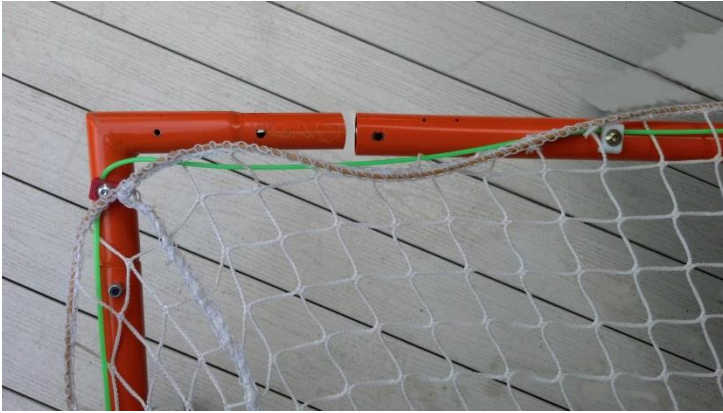


One Time Assembly Instructions

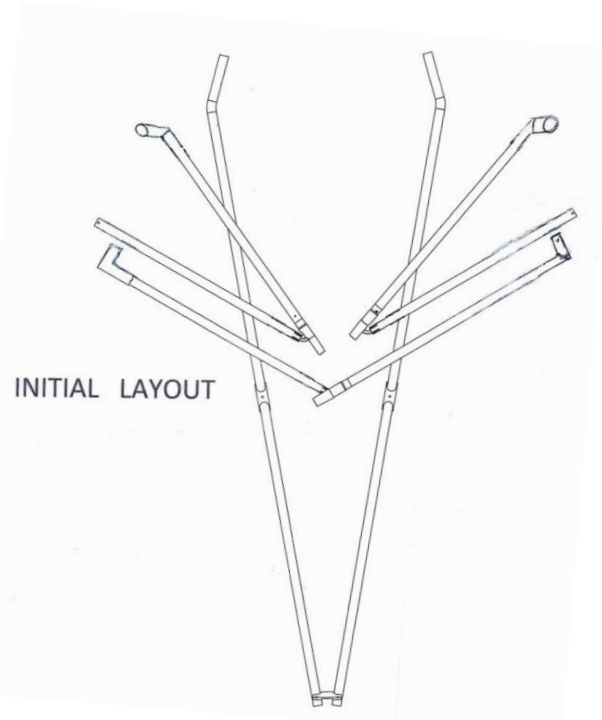
STEP A – Insert reduced end of corner pipes into straight pipes.



STEP B – Align bolt holes.

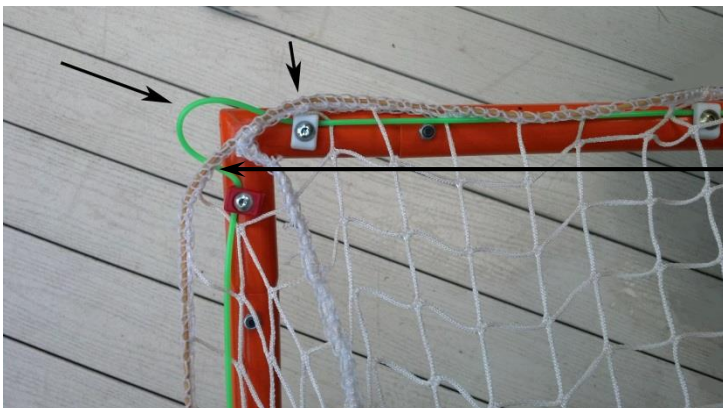


INITIAL LAYOUT



Important Note: Take care opening the goal frame slowly, to prevent the net from getting caught on the Net Clips.

STEP C – Insert bolt and tighten nut. Pull mono-filament tight to the corner and put mono-filament under the Net Fastener Clip (NFC) in the corner. Pull net to corner also.



RED CLIPS
(Last Step!)



See
“Corner Net Fastening Instructions”,
attached.