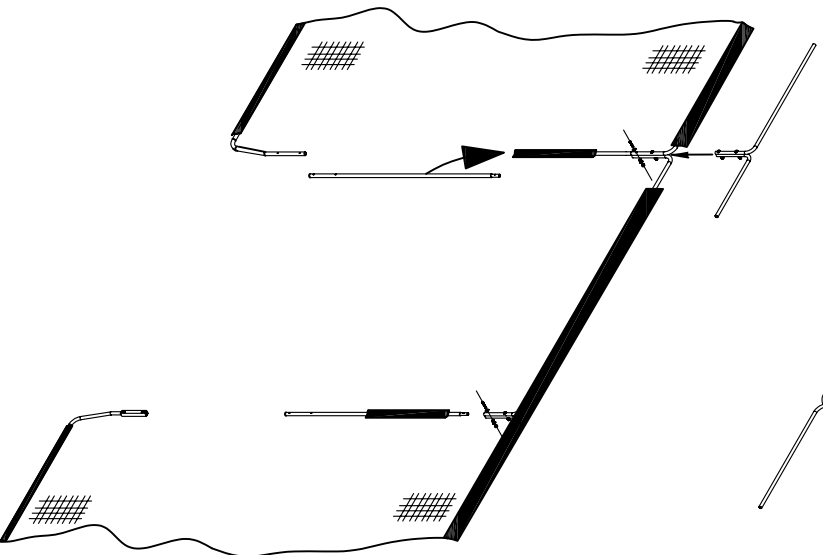
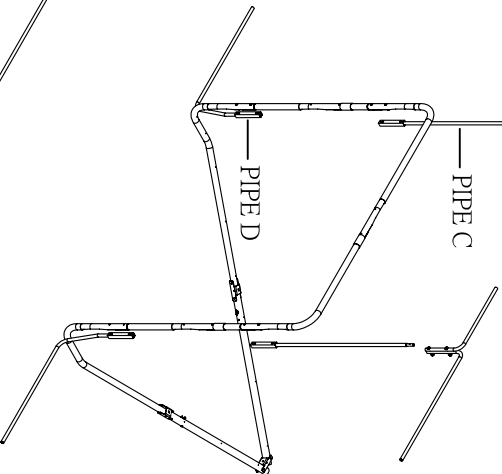


Range Cage Visor Net Assembly



Range Cage Visor Installation Instructions:

- Step 1 -PIPE A and B are pre-assembled in the Visor's top horizontal sleeve in the box. The top nut and bolt is tight and the bottom nut and bolt is loose.
- Step 2 -Remove the bottom nut and bolt to allow for PIPE C to be inserted.
- Step 3 -Insert PIPE C into vertical net Sleeve.
- Step 4 -Bolt Pipes together,as shown on **Hardware Assembly Page**.
- Step 5 -Insert PIPE D into bottom net Sleeve and Assemble to frame, as shown.

Note: Two sets of "Grade 8" bolts are included in with each Visor.

One set (shorter) of "Grade 8" bolts are used if you have a B 100 goal.
The (longer) set of "Grade 8" bolts are used if you have a CLUB goal.
Use the stronger "Grade 8" bolts to attach the Visor.

