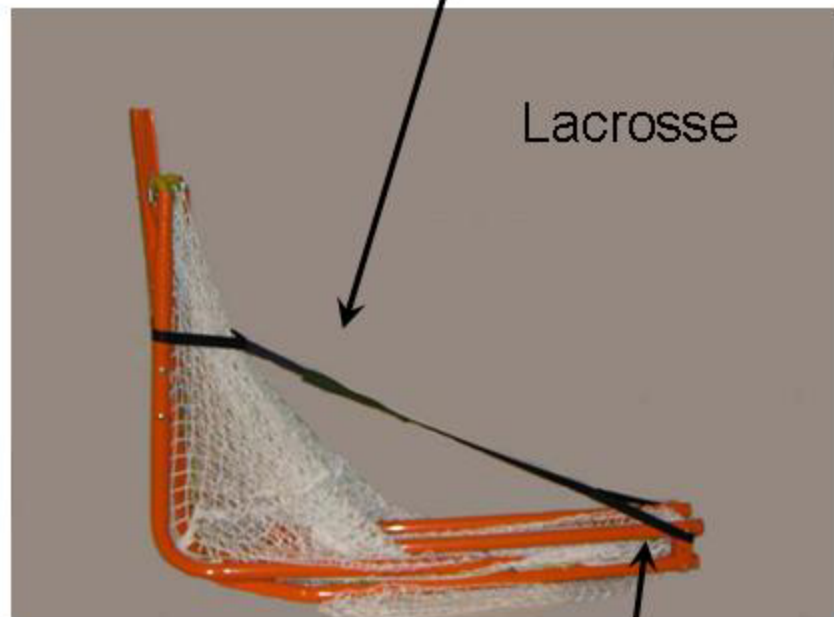
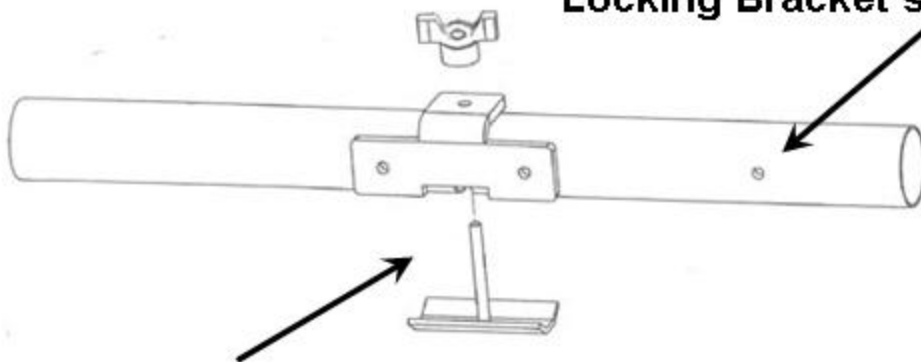


Assembly Instructions

Carrying Strap Proper Location:
Shoulder Pad is closer to the vertical pipes.



Locking Bracket storage hole.



Ground Bracket Locks.

Use of Ground Bracket Locks is optional. The locks are stored in the ground pipes. If extra stability is desired, tilt the goal forward and insert the locking brackets into the ground bracket hinge joints as shown here. When Rage Cage is folded the locking brackets are re-stored in their storage holes in the straight ground (back-point-joint) pipes.